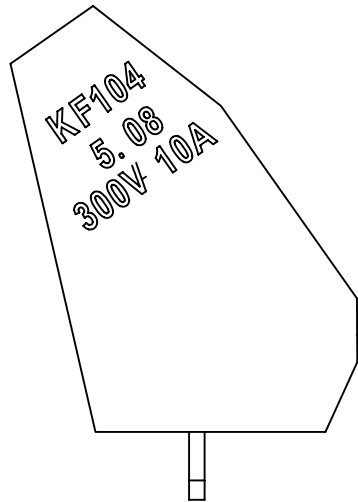
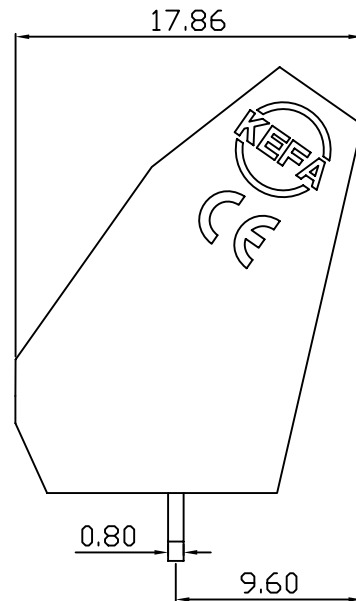
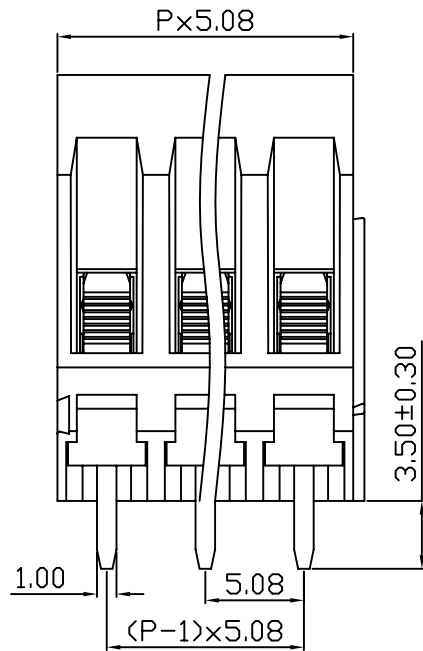
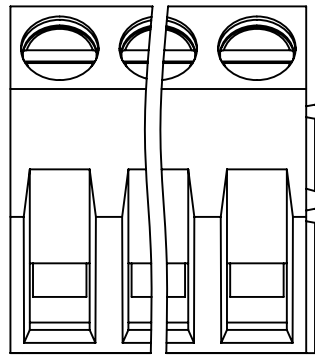
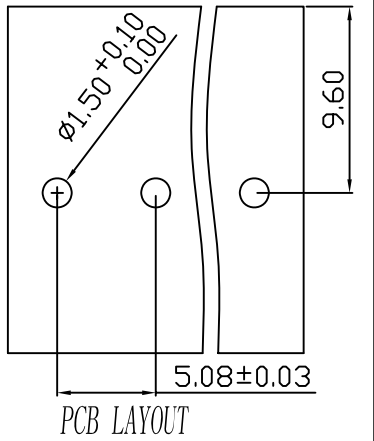


linear dimension(Tolerances Standard GB/T 14486-2008)



variable range	to	over	over	over	over	over	over		over	over
	6	6 to 10	10 to 30	30 to 60	60 to 100	100 to 160	160 to		10 to 100	100 to
tolerance	±0.20	±0.30	±0.50	±0.70	±1.00	±1.30	±1.60	0.10	0.30	0.60



REVISION RECORD

REV.	DESCRIPTION	ECN No.	APPROVED	DATE
A	新发行		BY	21.07.15

UL/CUL 技术参数			
UL/CUL Technical Data			
等级	Use Group	B	C D
额定电压	Rated Voltage [V]	300	- 300
额定电流	Rated Current [A]	10	- 10
接线范围	Wire Range	22-12	
单/多芯线	Solid/Stranded [AWG]		
耐电压	Withstanding Voltage	1600V/1Min	
IEC 技术参数			
IEC Technical Data			
过电压类别	Overvoltage Category	III	III II
污染等级	Contamination Class	3	2 2
额定电压	Rated Voltage [V]	-	400 -
额定电流	Rated Current [A]	-	24 -
额定冲击电压	Impulse withstand voltage ^a [KV]	-	2.0 -
导线截面积	Conductor cross section	2.5	
硬质/柔性导线	Solid/ flexible [mm ²]		
材料 Material			
绝缘材料	Insulation Material	PA66	
阻燃等级	Imflamability	UL94V-0	
导体材料	Contactive Material	铜合金 Copper alloy	
导体表面镀层	Contactive Coating	镀锡 Tin Plated	
一般参数 Other Data			
间距	Pitch [mm]	5.08	
极数	Poles [P]	2-24	
剥线长度	Stripping Length [mm]	6-7	
螺丝	Screw/扭矩 Torque(Max) [N.m]	M3/0.5	
工作温度	Operating temperatur [°C]	-40~+105	
引针尺寸	Pin Dimensions [mm]	3.5	
PCB板孔径	PCB Hole Diameter [mm]	1.5	

DES.	LQQ	DATE	21.07.15	单位 / UNITS	mm	尺寸 / SIZE	A4	比例 / SCALE	1:1	第三视角 / THIRD ANGLE PROJECTION	版本 / REV	A
CHK.		DATE		慈溪市科发电子有限公司 CIXI KEFA ELECTRONIC CO., LTD				名称 / TITLE	 KF104-5.08			
APP.	BY	DATE	21.07.15									