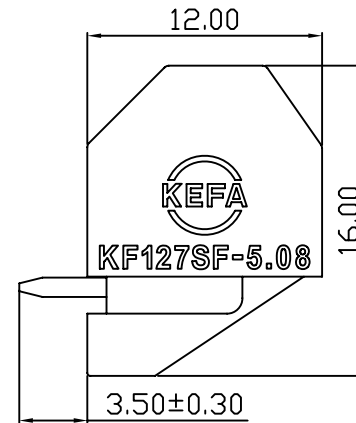
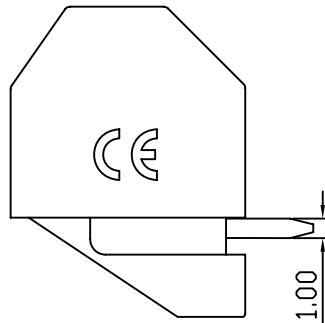
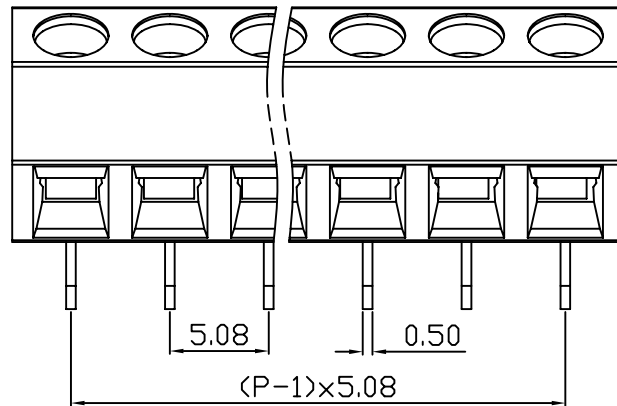
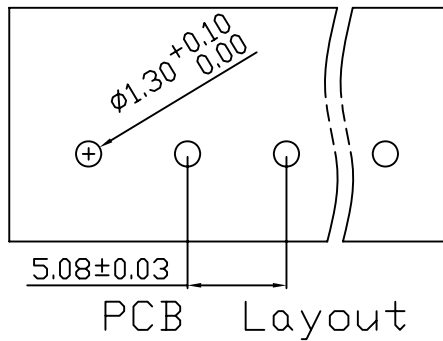


linear dimension(Tolerances Standard GB/T 14486-2008)



variable range	to	over 6 to 10	over 10 to 30	over 30 to 60	over 60 to 100	over 100 to 160	over 160 to	to	over 10 to 100	over 100 to
	6	10	30	60	100	160		10	100	
tolerance	±0.20	±0.30	±0.50	±0.70	±1.00	±1.30	±1.60	0.10	0.30	0.60



REVISION RECORD

REV.	DESCRIPTION	ECN No.	APPROVED	DATE
A	新发行		CLF	21.09.19

UL/CUL 技术参数 UL/CUL Technical Data				
等级 Use Group				
额定电压 Rated Voltage [V]		300	-	300
额定电流 Rated Current [A]		12	-	10
接线范围 Wire Range 单/多芯线 Solid/Stranded [AWG]		26-14		
耐电压 Withstanding Voltage		1600V/1Min		
IEC 技术参数 IEC Technical Data				
过电压类别 Overvoltage Category				
污染等级 Contamination Class		3	2	2
额定电压 Rated Voltage [V]		250	400	630
额定电流 Rated Current [A]		15	15	15
额定冲击电压 Impulse withstand voltagea [KV]		4	4	4
导线截面积 Conductor cross section 硬质/柔性导线 Solid/flexible [mm ²]		1.5		
材料 Material				
绝缘材料 Insulation Material		PA66		
阻燃等级 Imflammability		UL94V-0/UL94V-2		
导体材料 Contactor Material		铜合金 Copper alloy		
导体表面镀层 Contactive Coating		镀锡 Tin Plated		
一般参数 Other Data				
间距 Pitch [mm]		5.08		
极数 Poles [P]		2-24		
剥线长度 Stripping Length [mm]		7		
螺丝 Screw/扭矩 Torque(Max) [N.m]		M2.5/0.4		
工作温度 Operating temperatur [°C]		-40~+105		
引针尺寸 Pin Dimensions [mm]		3.5		
PCB板孔径 PCB Hole Diameter [mm]		1.3		

DES.	LQQ	DATE	21.09.19
CHK.	BY	DATE	21.09.19
APP.	CLF	DATE	21.09.19

单位 / UNITS	mm	尺寸 / SIZE	A4	比例 / SCALE	1:1
慈溪市科发电子有限公司 CIXI KEFA ELECTRONIC CO., LTD					

第三视角 / THIRD ANGLE PROJECTION	版本 / REV	A
名称 / TITLE	KF127SF-5.08	