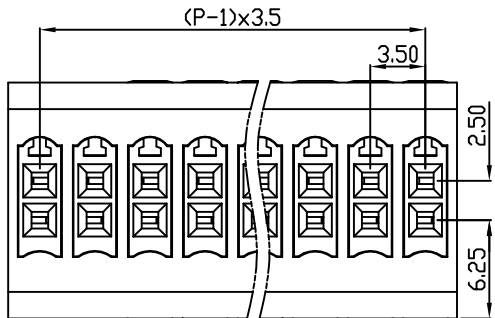
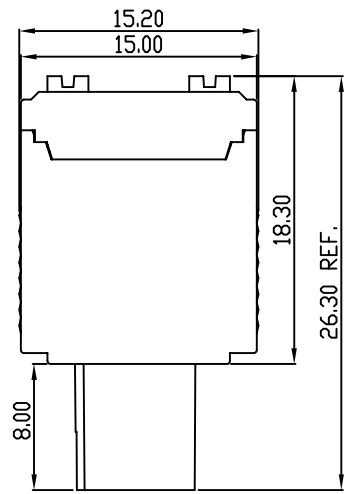
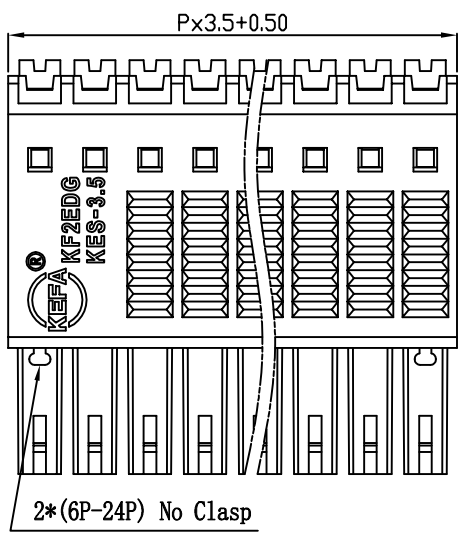
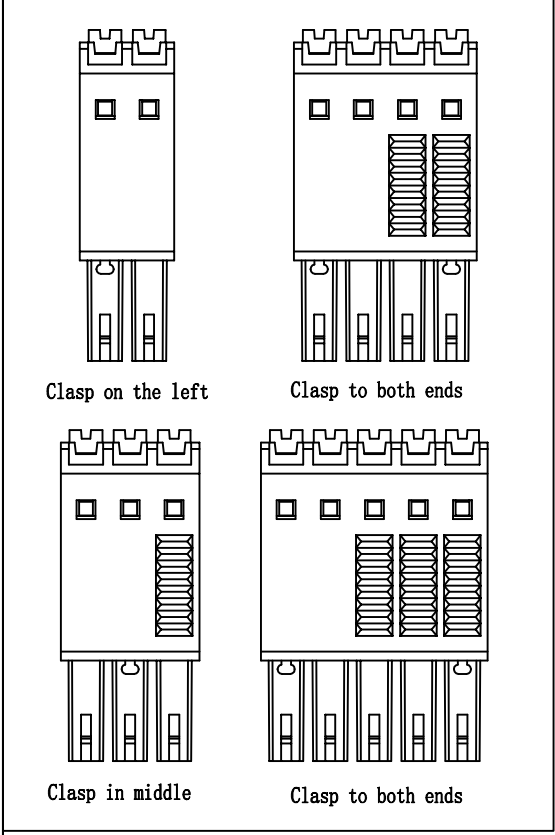


linear dimension(Tolerances Standard GB/T 14486-2008)								—		
variable range	to 6	over 6 to 10	over 10 to 30	over 30 to 60	over 60 to 100	over 100 to 160	over 160 to	to 10	over 10 to 100	over 100 to
tolerance	±0.20	±0.30	±0.50	±0.70	±1.00	±1.30	±1.60	0.10	0.30	0.60

REVISION RECORD				
REV.	DESCRIPTION	ECN No.	APPROVED	DATE
A	新发行		CLF	21.08.19



UL/CUL 技术参数 UL/CUL Technical Data				
等级 Use Group		B	C	D
额定电压 Rated Voltage [V]		300	-	300
额定电流 Rated Current [A]		10	-	10
接线范围 Wire Range		28-16		
单/多芯线 Solid/Stranded [AWG]				
耐电压 Withstanding Voltage		1600V/1Min		
IEC 技术参数 IEC Technical Data				
过电压类别 Overvoltage Category		III	III	II
污染等级 Contamination Class		3	2	2
额定电压 Rated Voltage [V]		160	160	320
额定电流 Rated Current [A]		13.4	13.4	13.4
额定冲击电压 Impulse withstand voltage <sup>a</sup> [KV]		2.5	2.5	2.5
导线截面积 Conductor cross section		0.2-1.5		
硬质/柔性导线 Solid/flexible [mm <sup>2</sup> ]				
材料 Material				
绝缘材料 Insulation Material		PA66		
阻燃等级 Imflammability		UL94V-0		
导体材料 Contactor Material		铜合金 Copper alloy		
导体表面镀层 Contactive Coating		镀锡 Tin Plated		
一般参数 Other Data				
间距 Pitch [mm]		3.5		
极数 Poles [P]		2x(02-24)		
剥线长度 Stripping Length [mm]		10~11		
螺丝 Screw/扭矩 Torque(Max) [N.m]		-		
工作温度 Operating temperatur [°C]		-40~+105		
引针尺寸 Pin Dimensions [mm]		-		
PCB板孔径 PCB Hole Diameter [mm]		-		

DES.	SJD	DATE	21.08.19
CHK.	BY	DATE	21.08.19
APP.	CLF	DATE	21.08.19

单位 / UNITS mm 尺寸 / SIZE A4 比例 / SCALE 1:1

第三视角 / THIRD ANGLE PROJECTION

名称 / TITLE **KF2EDGKES-3.5**

慈溪市科发电子有限公司  
CIXI KEFA ELECTRONICS CO., LTD

版本 / REV	A
----------	---