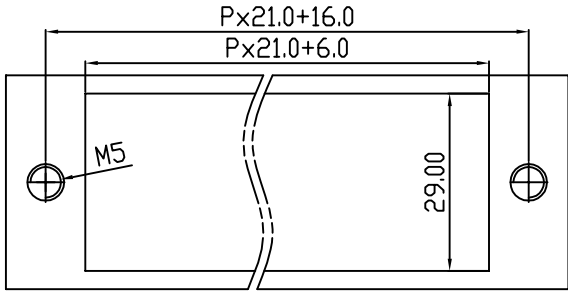
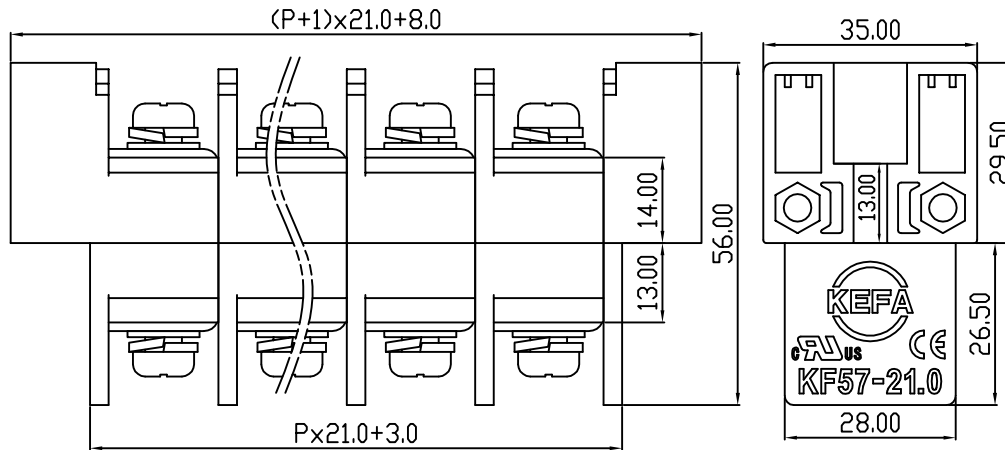
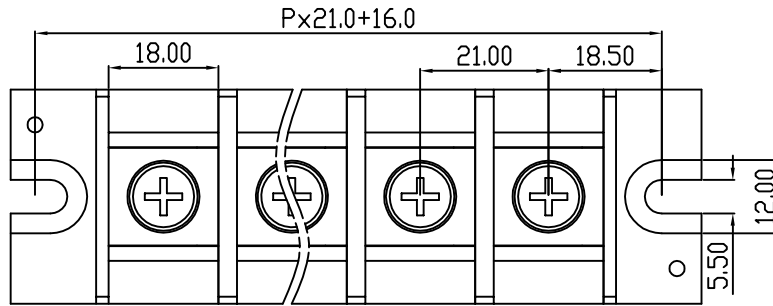


linear dimension(Tolerances Standard GB/T 14486-2008)								—		
variable range	to 6	over 6 to 10	over 10 to 30	over 30 to 60	over 60 to 100	over 100 to 160	over 160 to	to 10	over 10 to 100	over 100 to
tolerance	±0.20	±0.30	±0.50	±0.70	±1.00	±1.30	±1.60	0.10	0.30	0.60



PCB LAYOUT



REVISION RECORD				
REV.	DESCRIPTION	ECN No.	APPROVED	DATE
A	新发行		CLF	21.12.15

UL/CUL 技术参数				
UL/CUL Technical Data				
等级 Use Group		B	C	D
额定电压 Rated Voltage [V]		600	-	-
额定电流 Rated Current [A]		115	-	-
接线范围 Wire Range		8-2		
单/多芯线 Solid/Stranded [AWG]				
IEC 技术参数				
IEC Technical Data				
额定电压 Rated Voltage [V]		1000		
额定电流 Rated Current [A]		115		
耐电压 Withstanding Voltage		3500V/1Min		
导线截面积 Conductor cross section		35.0		
硬质/柔性导线 Solid/flexible [mm²]				
材料 Material				
绝缘材料 Insulation Material		PBT		
阻燃等级 Inflammability		UL94V-0		
导体材料 Contactor Material		铜合金 Copper alloy		
导体表面镀层 Contactive Coating		镀镍 Ni plating		
一般参数 Other Data				
间距 Pitch [mm]		21.0		
极数 Poles [P]		1-15		
剥线长度 Stripping Length [mm]		-		
螺丝 Screw/扭矩 Torque(Max) [N.m]		M6/3.0		
工作温度 Operating temperatur [°C]		-30~+120		
引针尺寸 Pin Dimensions [mm]		-		
PCB板孔径 PCB Hole Diameter [mm]		-		

DES.	LQQ	DATE	21.12.15	单位/UNITS	mm	尺寸/SIZE	A4	比例/SCALE	1:1	第三视角/THIRD ANGLE PROJECTION	版本/REV	A
CHK.	BY	DATE	21.12.15			慈溪市科发电子有限公司 CIXI KEFA ELECTRONICS CO., LTD				名称/TITLE	KF57-21.0	
APP.	CLF	DATE	21.12.15									